

# Hospital Grade Isolation Transformers

For Healthcare Facilities



# Hospital Grade Isolation Transformers

Isolation transformers for healthcare facilities



Isolation Transformer

## Description

BENDER's hospital grade isolation transformers provide isolation between configured primary and secondary voltages. Standard single-phase transformers are configured at the factory for a single primary voltage and a single secondary voltage. Dual secondary transformers are configured at the factory for a single primary voltage, a secondary voltage, and an additional secondary voltage rated for 120 VAC.

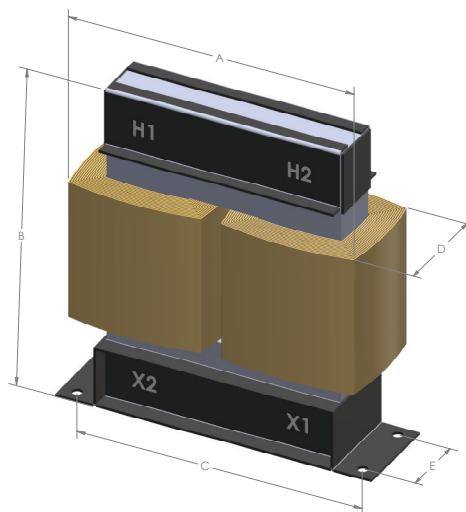
BENDER isolation transformers are intended for use as a part of an isolated power system. For more information, refer to document NAE2091010, "Isolated Power Panels."

## Features

- Single-phase, copper-wound transformers with primary and secondary voltages configured at the factory
- Power rating configurable up to 25 kVA
- Class H rated insulation
- Grain-oriented silicon steel cores
- Electrostatic shield between primary and secondary windings, grounded to enclosure
- Sound levels in accordance with NEMA standards
- Maximum leakage current in compliance with UL 1047, tables 30.1 and 30.2, and CSA Z32.2
- Mounting hardware provided for simple installation

## Technical Data: Standard Isolation Transformer (dimensions in inches, weight in lb)

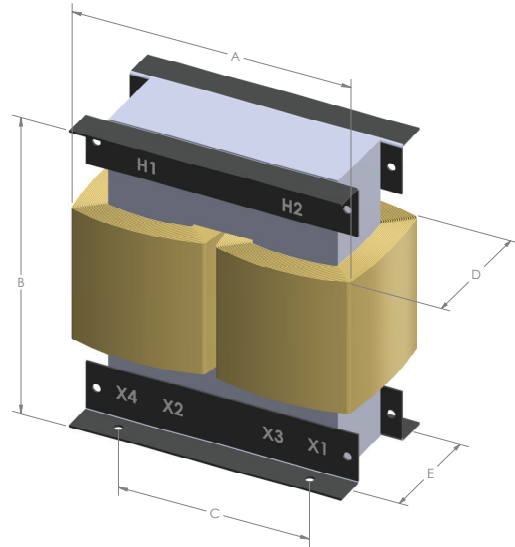
kVA	A	B	C	D	E
1.5	14"	11"	14"	3.5"	3.25"
2	14"	11"	14"	3.25"	3.25"
3	14"	13.25"	14"	4"	3.25"
5	16"	14.5"	14"	5"	3.25"
7.5	17"	14.75"	14"	5.5"	3.25"
10	14"	14"	14"	7"	3.25"
15	15"	16"	11"	8"	6.75"
20	17.5"	18"	11"	8"	6.75"
25	17.5"	18"	11"	8.5"	6.75"



kVA	Noise (db)	Impedance (%)	Regulation (%)	Weight (lb)
1.5	27	4	3.0	50
2,3	27	4.22	3.0	70
5	27	3.58	3.0	100
7.5	30	3.12	2.4	140
10	30	2.01	1.8	190
15	35	1.34	1.1	250
20	35	1.28	1.05	260
25	35	1.48	1.3	305

**Technical Data: Dual Secondary Voltage Isolation Transformer (dimensions in inches, weight in lb)**

kVA	A	B	C	D	E
15	15"	16"	11"	9"	6.75"
20	17.5"	18"	11"	9"	6.75"
22.5	17.5"	18"	11"	9"	6.75"
25	17.5"	18"	11"	9.5"	6.75"

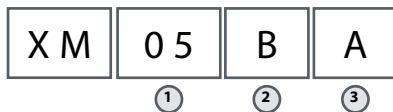


kVA	Noise (db)	Impedance (%)	Regulation (%)	Weight (lb)
15	35	1.37	1.1	275
20	35	1.32	1.05	330
22.5	35	1.25	1.05	345
25	35	1.42	1.2	370

## Ordering Information

BENDER isolation transformers are intended for use as a component of a complete isolated power panel. For more information, consult document number NAE2092010, "Isolated Power Panels."

### Ordering Information: Standard Isolation Transformer (Single Secondary Voltage)



**1 - kVA of transformer**

01: 1.5 kVA	07: 7.5 kVA
02: 2 kVA	10: 10 kVA
03: 3 kVA	15: 15 kVA
05: 5 kVA	25: 25 kVA

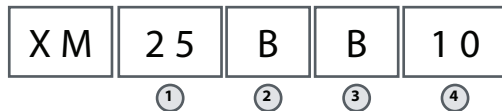
**2 - Primary voltage of transformer**

A: 120 V	G: 110 V
B: 208 V	H: 220 V
C: 240 V	I: 230 V
D: 277 V	J: 380 V
E: 480 V	

**3 - Secondary voltage of transformer**

A: 120 V	G: 110 V
B: 208 V	H: 220 V
C: 240 V	I: 230 V

### Ordering Information: Dual Secondary Voltage Isolation Transformer



**1 - KVA rating of transformer**

25: 25 kVA

**2 - Primary voltage of transformer**

B: 208 V	E: 480 V
C: 240 V	H: 220 V
D: 277 V	J: 380 V

**3 - Secondary voltage of transformer**

B: 208 V	C: 240 V
----------	----------

**4 - KVA of 120 V secondary**

10: 10 kVA



**USA** • Exton, PA • 800-356-4266 / 610-383-9200  
**Mexico and Central America** • Tampa, FL • +1 813-240-2858  
 info@bender.org • www.bender.org

**Canada** • Mississauga, ON • 800-243-2438 / 905-602-9990  
 info@bender-ca.com • www.bender-ca.com

**South America** • Santiago de Chile • +56 2 2933 4211  
 info@bender-latinamerica.com • www.bender-latinamerica.com



Your local contact: